

PTO PILOT BORE
Ø 3.940 [100,1]
X .10 [2,5] DEEP

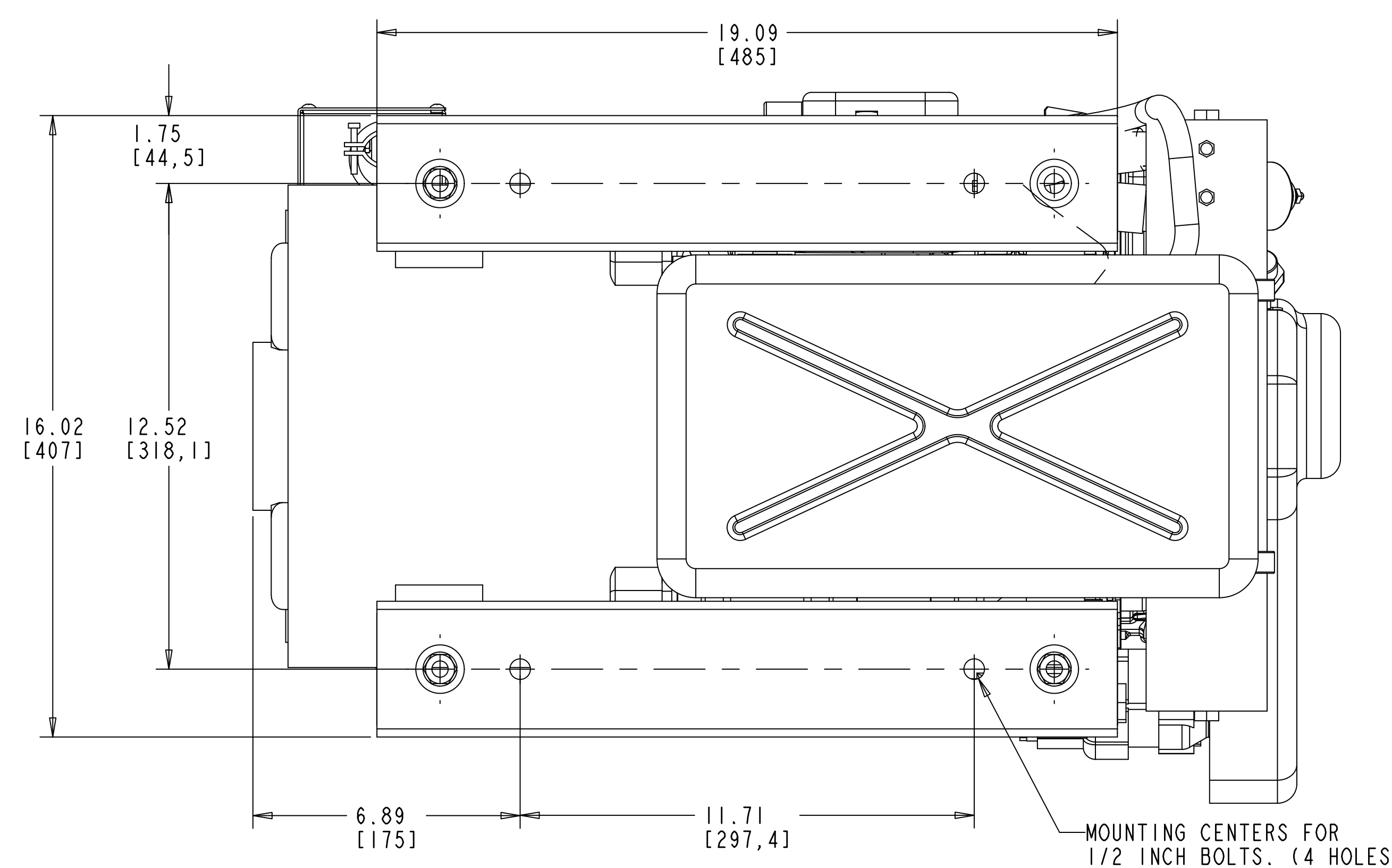
M12 X .75 THREAD, 1.0 (25.4) DEEP
(3) HOLES EQUALLY SPACED ON A
Ø 3.34 (85.0) B.C.

SPECIAL FUEL RETURN CONNECTION
SUPPLIED, 1/4 INCH-HOSE-MALE BARB

FUEL INLET CONNECTION
1/8-27 N.P.T. (FEMALE)

RAW WATER INLET 1.0 (25.4) I.D. HOSE

PLASTIC DRIP TRAY



MOUNTING CENTERS FOR
1/2 INCH BOLTS. (4 HOLES)

TOLERANCES (UNLESS OTHERWISE NOTED)		WESTERBEKE	
INCHES	MILLIMETERS	TITLE	
.XX ± .01	X ± 1.0	DGINSTALL GEN 5.5 EGCD	
.XX ± .005	.XX ± .13	DRAWN BY	DATE
ANGLES ± .2°		JAS	07/Jun/16
FINISH #2		APPROVED BY	DATE
DIMENSIONS	SCALE 0.380	SIZE	DRAWING NUMBER
INCHES		E	56289
MILLIMETERS		SHT. 1 OF 2	REV.
(WHEN APPLICABLE)			